

► *Velyen Serie 1*
4EB1700

velyen licensed by
ISTOBAL
Automotive Lifting Quality

Asymmetric 2-Post Lift With Base 3200 Kg



v4.2.1



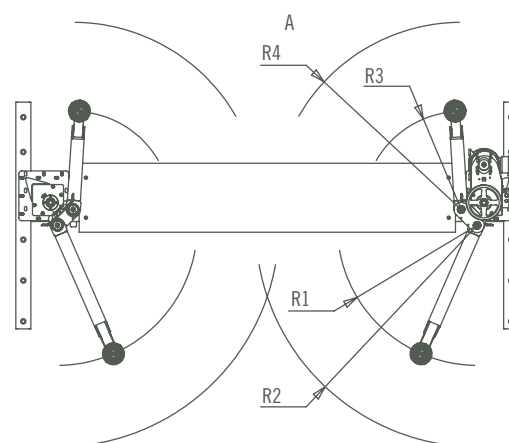
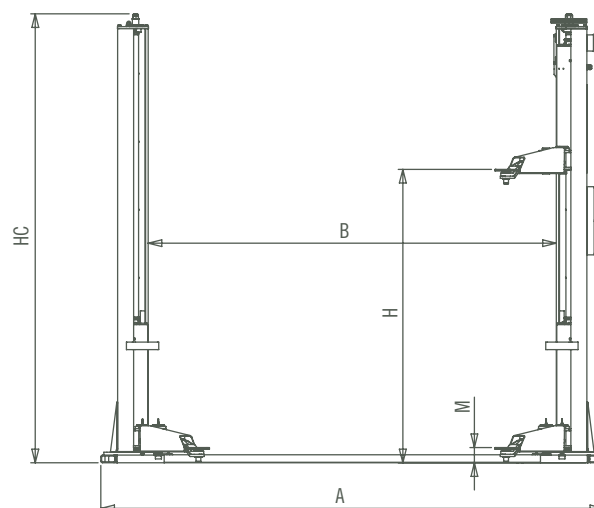
ISO 9001
BUREAU VERITAS
Certification



Visit us at www.velyen.com

General Features:

- Safety mechanism against obstacles in both columns during descent.
- Spindles and nuts permanently and automatically lubricated.
- Each carriage is fully equipped with a set of high quality sliders to guarantee a soft lifting of vehicles in any position.
- Automatic arms locking system. It can be also unlocked manually
- Bottom and top limit switches.
- In case of energy absence or failure in the system, a nut placed in the top part of each spindle permits the lowering of vehicles turning both nuts at the same time.
- Safety nut against breakage or wear of the main nut.
- High resistant spindles made of special laminated steel and long-life nuts system
- Safety mechanism against breakage or looseness of the drive chain.
- Chain drive system, pre-regulated, reliable and long durability.
- Separate push-buttons UP/DOWN at 24V, type "dead man" and main switch ON/OFF which can be padlocked to immobilize the lift.
- Asymmetric arms allow easy opening of doors
- Telescopic arms 60 mm length and screwed pad for any type of vehicle.



TECHNICAL DATA

Width between columns	2640 mm
Load capacity	3200 Kg
Minimum height	100 mm
Lifting height	1945/2000 mm
Lifting time	60"
Arm length (min-max)	Short 500-900 mm / Long 800-1250 mm
Overall width	3335 mm
Motor	3 Phase 230/400 V 50/60 Hz. 2.4 KW

OPTIONAL ACCESSORIES

4300300	MB Front crutch kit (2 u.)
4300400	MB Rear crutch kit (2 u.)
4302400	Long arms (925-1465 mm)
990800	Pad Supplement 80mm (4 u.)
990700	Pad Supplement 130 mm (4 u.)

A	B	H	HC	M	R1/R2	R3/R4
3335	2640	1945 2000	3085	100	800 1250	500 900